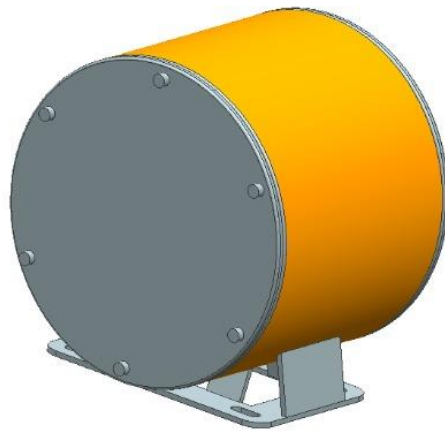
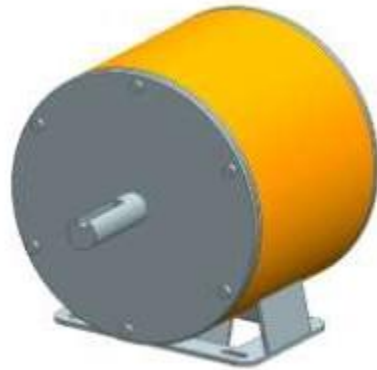


Model No.: PMG-500G-0.5

Technical Specification for 0.5KW, 500 RPM, 220VAC, Three Phase Permanent Magnet Alternator.

Sl. No.	Description	Parameter
01.	Rated Power	0.5 KW
02.	RPM	500
03.	Number of Pole	12
04.	Rated Voltage	220 Volts (Single-Phase)
05.	Power Factor	0.9
06.	Rated Amp	2.4 Amps
07.	Frequency	50 Hz
08.	Insulation Class	H Class
09.	Working Temperature	-30° C to 80° C
10.	Starting Torque	0.13NM
11.	Rated Torque	09 NM
12.	Magnet Type	Neodymium (NdFeB)
13.	Warranty	24 Months
14.	Type	Radial Flux Foot Mounting
15.	Generator shell material	Cast Iron
16.	Winding material	100% Copper
17.	Shaft material	EN8
18.	Bearing Brand	SKF
19.	Efficiency	More than 90%
20.	Protection	IP54



CE

